

Built-in Warming Drawer

INSTALLATION AND OPERATING INSTRUCTIONS

INTRODUCTION

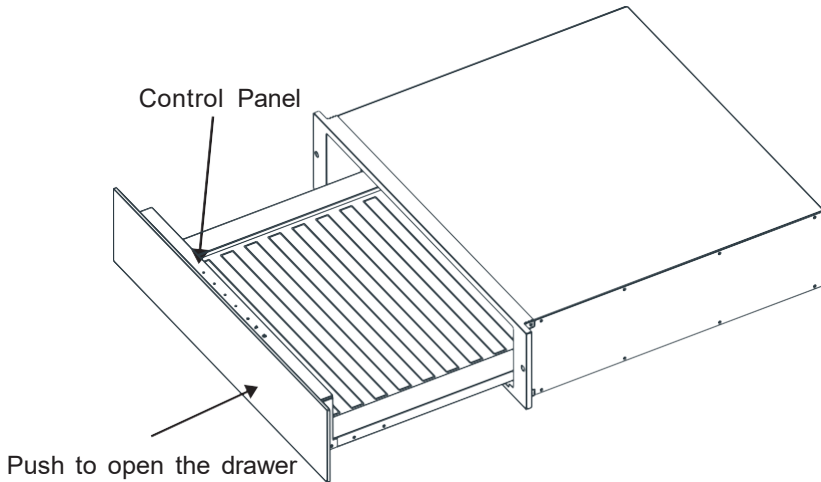
Dear customer:

Thank you for choosing our product. This appliance is easy to use; however please read this handbook carefully before installing and operating it. Herein you will find the correct method of installation and tips for the best use and maintenance of the product

CONTENTS




PRODUCT DESCRIPTION	3
TECHNICAL PARAMETERS	4
CUTOUT DIMENSIONS	4
INSTALLATION INSTRUCTIONS	5
SAFETY INSTRUCTIONS	6
CLEANING AND MAINTENANCE	6
TROUBLESHOOTING	7
CIRCUIT DIAGRAM	7

PRODUCT DESCRIPTION



Control panel

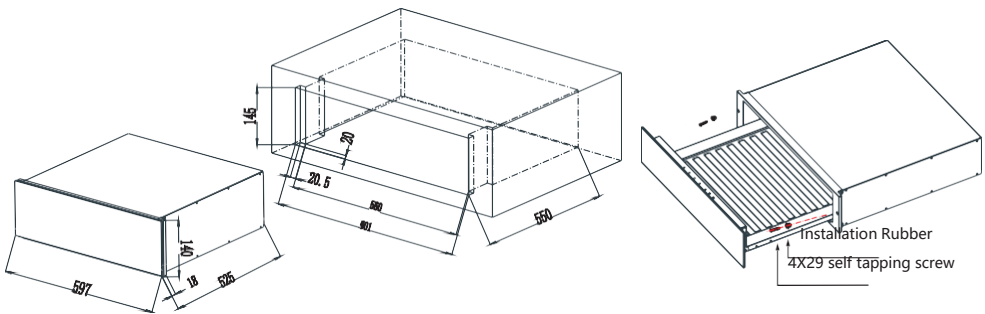


1. Press Power icon  to turn on the warming drawer.
2. Press the Temperature icon  to select LOW, MED or HIGH range temperature. The warming drawer default setting work for 2 hours, or it can be set work for 6H if required. (If select for 6H, the warming drawer will be set on MED temperature range automatically).
3. Press  icon to START/ PAUSE the warming drawer.

TECHNICAL PARAMETERS

Product	Built-in Warming Drawer
Model Number	BJX10A.D-30N6
Voltage/Frequency	110V AC / 60Hz
Heating Wire Rated Power	180W
Temperature Range	LOW, MED, or HIGH range
Default Woking Duration	120min
Max Load	20kg
Capacity	30L±10%
Rated Power	180W
Net Weight	13kg
Product Dimension	597x525x140mm

CUTOUT DIMENSIONS



Warning : the product should be installed in a position where at least 25mm away from the wall for heat dissipation.

INSTALLATION INSTRUCTIONS

Warnings for Power Connection :

- The appliance must be connected in accordance with current electrical regulations;
 - Fixed wiring installation is to be done only by an authorized electrician;
 - THIS APPLIANCE MUST BE EARTHED;
 - With earth single phase socket, use the proportionate load and complying with the regulations in force;
 - Means for disconnection must be incorporated in the fixed wiring in accordance with the wiring rules;
 - Make sure that the isolation switch can easily be reached after the warming drawer is installed
 - After connection to the mains, check that the supply cable does not overheat;
 - Never use reductions, shunts, adaptors that can cause overheating or burning;
 - The manufacturer shall not liable for any direct or indirect damage caused by faulty installation.
- The installer must ensure that the product installation and connection complies with the local and general regulations in force.

Installation and Assembly :

- Fit the appliance into its surround (beneath a work-top) by inserting screws into the 2 holes that can be seen in the frame of the warming drawer when the door is opened.
- The warming drawer needs a supporting surface underneath. The sides and the flat surface where the warming drawer is to be installed should be milled.
- Ensure the warming drawer is secured firmly in place as described above, and insulate electrical connections in order to avoid contact with metallic parts.

Note: The adhesive used in the cabinetry has to withstand temperatures no lower than 90°C to avoid deformation or instability.

- The warming drawer should be installed in a position which is at least 20mm away from other heating appliances.
- For the most efficient air circulation, the warming drawer should be fitted according to the dimensions shown.
- The rear panel of the cabinet must be removed so that air can circulate freely.
- Do not switch on the appliance before it is has been fully and correctly installed.

WARNING: The power socket must be connected to a switch with earth leakage protection. If the power cable is damaged, please contact a qualified electrician for replacement.

Note: Do not overload the drawer. The maximum load bearing capacity of the drawer is 20kg.

SAFETY INSTRUCTIONS

Child Safety

- The built-in warming drawer is not intended for use by young children or infirmed persons without supervision.
- Children and pets should not be left alone or unattended in the area where the appliance is in use. They should never be allowed to play in its vicinity, whether or not the appliance is in use.

CLEANING AND MAINTENANCE

Note : Make sure the power is turned off prior to cleaning. Clean the warming drawer after it cools down.

- Clean the water spots or scale after use.
- Wipe and clean the drawer interior with sponge or cloth from time to time.

Warning: Do not use harsh chemicals or cleaning agents or any abrasive material for cleaning purpose.

Under no circumstances use a steam cleaning appliance to clean this appliance. The steam could attack the electrical components and cause a short circuit.

Do not use harsh abrasive cleaner or sharp metal scrapers to clean the door glass since they can scratch the surface, which may result in shattering of the glass.

NOTE: The maintenance and service must be carried by qualified service person. Repairs and other work by unqualified persons could be dangerous.

The manufacturer is not liable for any direct or indirect damage caused by unqualified service person or installer.

TROUBLESHOOTING

Scenario	Possible Cause	Solution
control panel does not function	Power is not switched on	Turn the warming drawer power on
	Loose connection	Contact the service representative for replacement
Warming drawer fails to heat up	Heating element damage	Contact the service representative for replacement

CIRCUIT DIAGRAM

